

Single mode Tree & Star Coupler (4 ~ 32 Ch)



FEATURES

Low Excess Loss
Uniform Power Splitting
Rugged Package
Excellent Environmental & Mechanical Stability

APPLICATION

Long-haul Telecommunications
Digital, Hybrid and AM-Video Systems
CATV Systems
High Speed Local Area Networks
Fiber Sensors

PERFORMANCE SPECIFICATIONS

Parameter	Specifications			
Operating Wavelength	1310±10, 1550±10, 1585±10nm, or Custom			
Port Configurations	1x4/4x4	1x8/8x8	1x16/16x16	1x32/32x32
Insertion Loss	≤6.8dB	≤10.2dB	≤13.6dB	≤17.5dB
Uniformity	≤ 0.70dB	≤ 1.0dB	≤ 1.2dB	≤1.4dB
Polarization dependent loss	≤ 0.15dB	≤ 0.20dB	≤ 0.25dB	≤ 0.30dB
Operating Wavelength	1310±40, 1550±40, 1585±40nm, or Custom			
Port Configurations	1x4/4x4	1x8/8x8	1x16/16x16	1x32/32x32
Insertion Loss	≤6.8dB	≤10.2dB	≤13.6dB	≤17.5dB
Uniformity	≤ 0.80dB	≤ 1.2dB	≤ 1.6dB	≤2.0dB
Polarization dependent loss	≤ 0.15dB	≤ 0.20dB	≤ 0.25dB	≤ 0.30dB
Operating Wavelength	1310/1550±40, 1310/1585±40 (* 1310/1550±20, 1310/1585±20nm), or Custom			
Port Configurations	1x4/4x4	1x8/8x8	1x16/16x16	1x32/32x32
Insertion Loss	≤7.6(7.2)*dB	≤11.5(10.8)*dB	≤15.5(14.5)*dB	≤19.5(18.5)*dB
Uniformity	≤ 1.6(1.4)dB	≤ 2.5(2.1)dB	≤ 3.4 (2.8)dB	≤ 4.1(3.5)dB
Polarization dependent loss	≤ 0.15dB	≤ 0.20dB	≤ 0.30dB	≤ 0.50dB
Directivity	≥ 55dB			
Optical Power	≤ 500mW			
Operating Temperature	- 20 to +75°C (- 40 to +85°C Available upon request)			
Storage Temperature	- 40 to +85°C			
Package type	S and D	S and D	E	E
Package Dimensions	S=89x51x9.2mm D= 120x80x11.6 case E= 142x102x14.5 case			

Note:

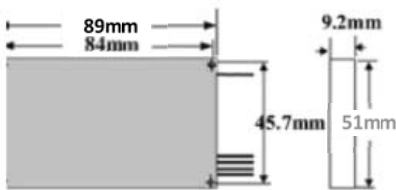
*This specification is only 1xN Coupler.

All values referenced are without connector.

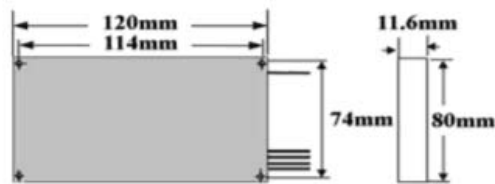
Single mode Tree & Star Coupler (4 ~ 32 Ch)

MECHANICAL DIMENSIONS

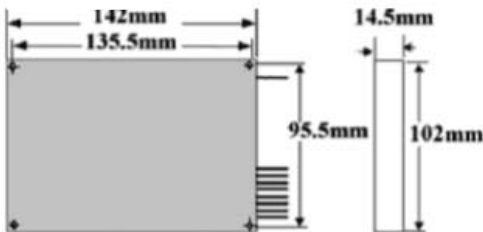
S Package



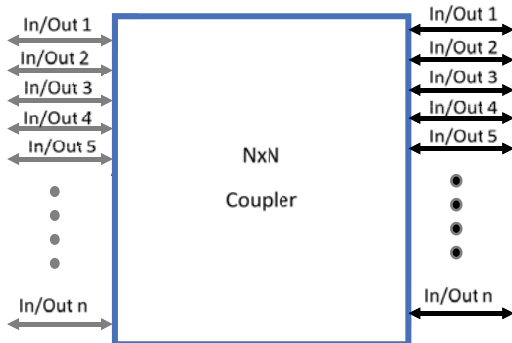
D Package



E Package



CHANNEL CONFIGURATIONS



ORDERING INFORMATION

Type	Grade	Operating Wavelength	Port	Package	Fiber Type*	Pigtail Style	Fiber Length	In Connector	Out Connector
S=Standard	P=P grade	31=1310nm	104=1x4	S=S package	2=SMF-28 Ultra	1=Bare fiber	05=0.5m	0=None	0=None
W=Wideband		55=1550nm	404=4x4	D=D package	(G.657.A1)	2=900um	10=1.0m	1=FC/APC	1=FC/APC
		58=1585nm		E=E package		loose tube	·	2=FC/PC	2=FC/PC
		3155=1310/1550nm	808=8x8			3=3mm jacket	·	3=SC/APC	3=SC/APC
		3158=1310/1585nm	·			4=2mm jacket	·	4=SC/PC	4=SC/PC
			·			5=1.6mm jacket	20=2.0m	5=ST	5=ST
			·			6=900um tight buffer		6=LC/UPC	6=LC/UPC
			132=1x32					7=LC/APC	7=LC/APC

*1=SMF-28(G.652) is available upon request.