

# Single Mode Single Fiber Collimator



## PERFORMANCE SPECIFICATIONS

Parameter	Specifications
Operating Wavelength	1310±30, 1550±30, 1310/1550±30 or 980/1550±30nm
Grade	P   A
Transmission Insertion Loss (dB)	0.17 Typ. <sup>1)</sup> ≤0.20 Max.   0.20 Typ. <sup>1)</sup> ≤0.25 Max.
Return Loss	≥ 60dB
Beam Diameter	≤ 0.45 (Φ1.8mm Lens) ≤ 0.35 (Φ1.0mm Lens)
Operating Temperature	- 20 to +75°C
Storage Temperature	- 40 to +85°C
Package Dimensions	Φ1.8(OD) Lens (Standard):  A=4x10mm Gold plated SS tube B=3.2x10mm Gold plated SS tube C=2.4x10mm SS tube (Gold plated optional) D=2.78x10mm Glass tube or custom size  Φ1.0(OD) Lens (Min-size):  E=2.8x10mm SS tube (Gold plated optional) F=2.0x7mm Glass tube G=1.4x6mm Gold plated SS tube H=1.2x7mm Glass tube

## FEATURES

- Low Insertion loss
- Low Back Reflection
- High Environmental Stability
- Wide Operating Wavelength
- Compact Size
- Excellent Environmental
- Mechanical Stability

## APPLICATION

- Fiberoptic Lab Use
- Laser Beam Collimating
- Fiber to Fiber Coupling
- Local Area Networks
- CATV Systems
- Subscriber Loop
- Fiberoptic Instruments

### Note:

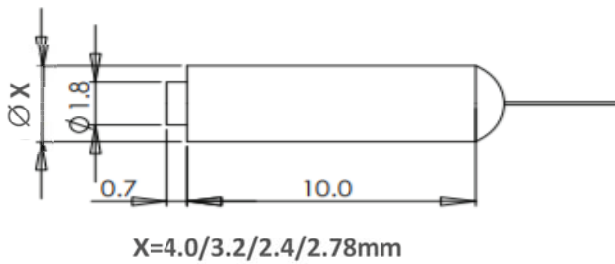
1) At 10mm working distance and single wavelength. Dual wavelength IL will increase by 0.1dB.

All values referenced are without connector.

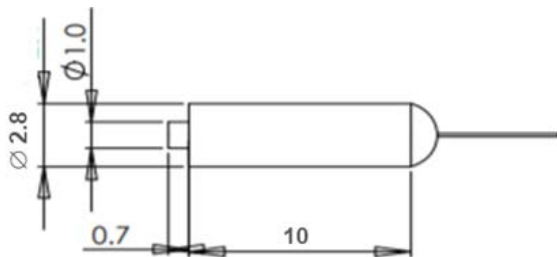
# Single Mode Single Fiber Collimator

## MECHANICAL DIMENSIONS

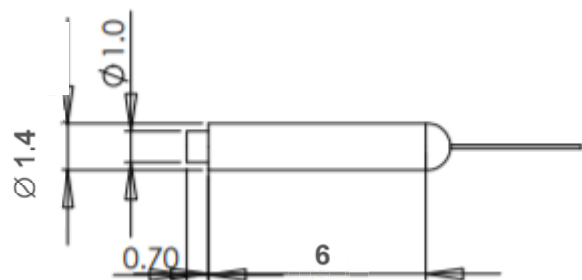
Package A/B/C/D



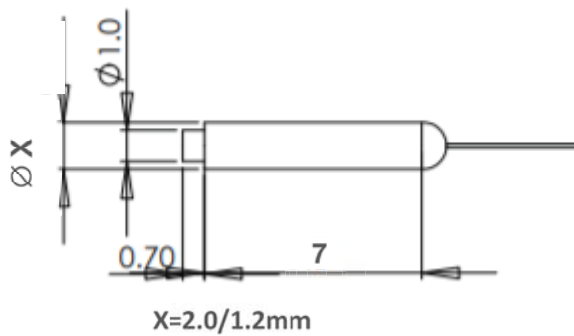
Package E



Package G



Package F/H



## Single Mode Single Fiber Collimator

### PORT CONFIGURATION



### ORDERING INFORMATION

CL	Number of fibers	Grade	Operating Wavelength	Working Distance (WD)	Package	Fiber Type*	Pigtail Style	Fiber Length	Connector
1=Single fiber	P=P grade	31=1310nm	01=1mm	A=4.0x10mm	2=SMF-28 Ultra (G.657A1)	1=Bare fiber	05=0.5m	0 = None	
		55=1550nm	02=2mm	B=3.2x10mm		2=900um	10=1.0m	1 = FC/APC	
	A=A grade	35=1310/1550nm	.	C=2.4x10mm	3=ClearCurve ZBL(G.657.B3)	loose tube**	.	2 = FC/PC	
		95=980/1550nm	.	D=2.78x10mm		6=900um tight buffer	.	3 = SC/APC	
	.	.	E=2.8x10mm			.	4 = SC/PC		
	70=70MM		F=2.0x7mm			50=5.0m	5 = ST		
			G=1.4x6mm					6 = LC/UPC	
			H=1.2x7mm					7 = LC/APC	

1) 1.6mm or 2mm jacket is also available upon request.

\*1=SMF-28(G.652) is available upon request.

\*\*Available fiber length is up to 2m.