



Plug-Type Fixed Attenuator

PERFORMANCE SPECIFICATIONS

Parameter	Specifications	
	P	A
Grade		
Connector Type	FC, SC or LC	
Polishing Type	PC or APC	
Attenuation Level /Tolerance	1 ~ 9 / ± 0.1dB	1 ~ 9 / ± 0.5dB
	10 ~ 20 / ± 0.5dB	10 ~ 20 / ± 1.0dB
Back Reflection (BR)	≤ -50dB (PC)	
	≤ -60dB (APC)	
Polarization Dependent Loss	0.1dB (Typ.)	
	≤ -0.5dB (Max.)	
Operating Temperature	- 20 to +70°C	
Storage Temperature	- 40 to +80°C	
Inspection Data	Attenuation and BR	
Package Dimensions (mm)	See "MECHANICAL DIMENSIONS"	

FEATURES

- High Precision Attenuation (±0.5dB for P Grade)
- Low Wavelength Dependency (0.5 dB typ. at 10dB, 1480~1620nm)
- Wide PGR-326 End Face Geometry
- High Power Durability

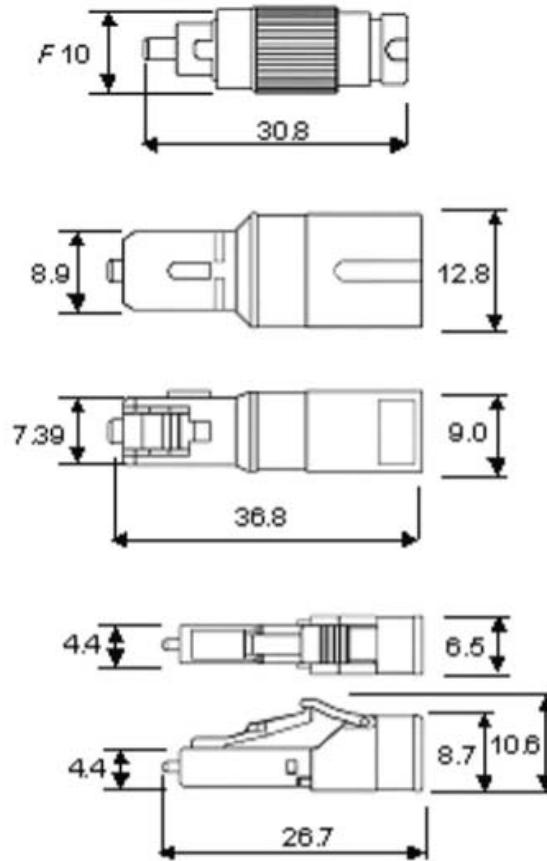
APPLICATION

- CATV
- High Power Networks

Plug-Type Fixed Attenuator

MECHANICAL DIMENSIONS

Manual single side (A package)



ORDERING INFORMATION

AT	Connector type	Attenuation	Polishing Type	Grade
	FC=FC Connector SC=SC Connector LC=LC Connector	01=1dB 02=2dB 10=10dB 20=20dB	PC=UPC AP=APC	P=Premium A=A grade