

Multimode Polarization-Insensitive Optical Isolator (850/1064nm)



PERFORMANCE SPECIFICATIONS

| Parameter | Specifications | |
|-------------------------|--------------------|--------------|
| | 850nm | 1064nm |
| Operating Wavelength | 850nm | 1064nm |
| Typical Peak Isolation* | 25dB | - |
| Minimum Isolation | ≥ 20dB | ≥ 20dB |
| Typical Insertion Loss | 1.0dB | 1.8dB |
| Insertion Loss (Max.) | ≤ 1.2dB | ≤ 2.0dB |
| Return Loss (Min.) | ≥ 30dB | ≥ 25dB |
| Fiber Type | 50/125 or 62.5/125 | 50/125 |
| Bandwidth | ± 10nm | ± 10nm |
| Optical Power | ≤ 10W | ≤ 0.5W |
| Operating Temperature | 10 to +50°C | 10 to +50°C |
| Storage Temperature | 0 to +60°C | -10 to +60°C |
| Package Type | A | A |
| Package Dimensions | A= 52x28x27 | A= 80x42x41 |

Note:

* Measured at center wavelength.

All values referenced are without connector.

FEATURES

- High Isolation
- Low Insertion Loss
- Low Polarization Sensitivity
- High Stability and High Reliability
- Epoxy Free Optical Path

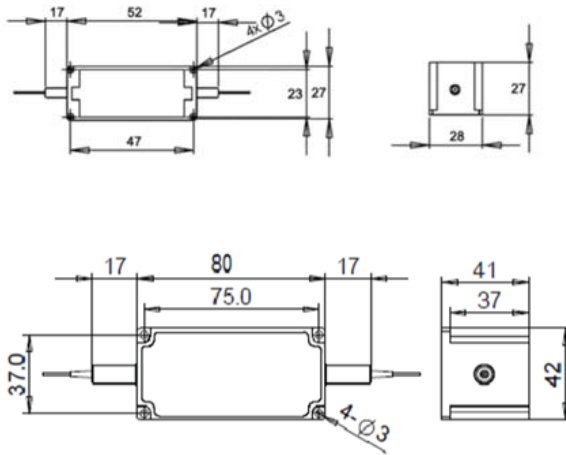
APPLICATION

- Fiber optic Amplifiers
- CATV Fiber optic Links
- Fiber optic Systems Testing
- Fiber optic LAN Systems
- Telecommunications

Multimode Polarization-Insensitive Optical Isolator (850/1064nm)

MECHANICAL DIMENSIONS

A package:



PORT CONFIGURATIONS



ORDERING INFORMATION

| Type | Operating Wavelength | Grade | Package | Fiber Type | Pigtail Style | Fiber Length | In Connector | Out Connector |
|-------------------|----------------------|-----------|-------------|------------|--------------------|--------------|--------------|---------------|
| MMIS=Single stage | 85=850nm | P=P grade | A=A Package | A=50/125 | 1=Bare fiber | 05=0.50m | 0=None | 0=None |
| | 06=1064nm | | | B=62.5/125 | 2=900um loose tube | 10=1.0m | 1=FC/APC | 1=FC/APC |
| | SS=Custom | | | S=Custom | · | · | 2=FC/PC | 2=FC/PC |
| | | | | | · | 2=2.0m | 3=SC/APC | 3=SC/APC |
| | | | | | | 4=SC/PC | 4=SC/PC | |
| | | | | | | | 5=ST | 5=ST |
| | | | | | | | 6=LC/UPC | 6=LC/UPC |
| | | | | | | | 7=LC/APC | 7=LC/APC |