



Manual Variable Optical Attenuator

PERFORMANCE SPECIFICATIONS

Parameter	Specifications
Fiber Orientation	One side Two sides
Operating Wavelength	Optimized at 633±10nm, 780±30nm, 830±30nm, 1310±50nm, 1550±50nm or 1625±50nm or Custom
Insertion Loss	≤ 1.0dB ¹⁾
Polarization Dependent Loss	≤ 0.10dB
Temperature Dependent Loss	0.30dB
Return Loss	≥ 50dB for SM & PM fiber ≥ 30dB for MM fiber
Attenuation Range	≥ 60dB ²⁾
Attenuation Resolution (Typ.)	0.1dB
Extinction Ratio (PM only)	≥ 20dB
Optical Power	≤ 1.0W
Operating Temperature	- 20 to +75°C
Storage Temperature	- 40 to +85°C
Package Type	A B
Package Dimensions (mm)	See "MECHANICAL DIMENSIONS"

FEATURES

Ultra Small Size, Compact Package
Wide Wavelength Range, Low IL,
Low PDL, Low WDL
Singlemode, PM and
Multimode Fiber Versions
High Attenuation Range
High Resolution
Designed to meet
Telcordia Standard

APPLICATION

Power Equalization
and Control in MultiChannel Optical
Amplified networks
Gain Tilt Control in EDFA
Channel ON/OFF Switch
CATV Fiberoptic System
LAN
Receiver Protection
Optical Sensors

Note:

1) 1.0dB maximum applies to 1310 and 1550nm only. Higher insertion loss up to 1.5dB applies 400~1200nm.

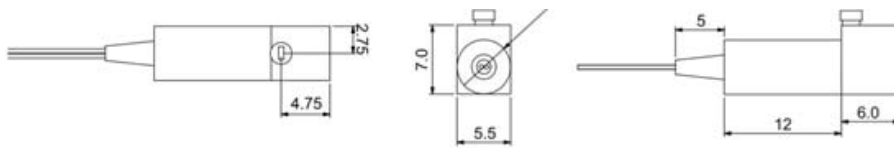
2) 80dB possible by special design.

All values referenced are without connector.

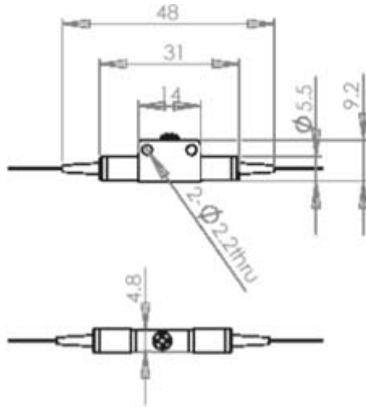
Manual Variable Optical Attenuator

MECHANICAL DIMENSIONS

Manual single side (A package)



Manual dual side (B package)



PORT CONFIGURATION



Manual Variable Optical Attenuator

ORDERING INFORMATION

TYPE	Operating Wavelength	Attenuation Range	Package	Fiber Type*	Pigtail Style	Fiber Length	In Connector	Out Connector
MVOA=SM Fiber	63=630±10 nm	40=40dB	A= A Package	2=SMF-28 Ultra	1=Bare fiber	05=0.5m	0 = None	0 = None
MMVOA=MM Fiber	78=780±30nm	60=60dB	B=B Package	(G.657.A1)	2=900um	07=0.75m	1 = FC/APC	1 = FC/APC
PMVOA=PM Fiber	83=830±30nm	80=80dB		3=ClearCurve	loose tube	10=1.0m	2 = FC/PC	2 = FC/PC
	31=1310±50 nm			ZBL(G.657.B3)		·	3 = SC/APC	3 = SC/APC
	55=1550±50 nm			4=Hi780		·	4 = SC/PC	4 = SC/PC
	SS=Custom			5=Hi980		·	5 = ST	5 = ST
				6=Hi1060			6 = LC/UPC	6 = LC/UPC
				7=Hi1060 Flex			7 = LC/APC	7 = LC/APC
				A=50/125				
	B=62.5/125							
	K=PM850							
	L=PM980							
	M=PM1310							
	N=PM1550							

*1=SMF-28(G.652) is available upon request.