

# 1x16 Mechanical Fiberoptic Switch

ACP's MS Series switch connects optical channels by redirecting an incoming optical signal into a selected output fiber. This is achieved using a patent pending opto-mechanical proprietary configuration and activated via an electrical control signal. The Switch offers ultra-high reliability and fast switching speed as well as bi-directional performance. The MS fiberoptic switches are true switching solution for optical networking applications.

## FEATURES

- Unmatched Low Cost
- Low Insertion Loss
- High Channel Isolation
- High Stability and Reliability
- Epoxy Free Optical Path
- Latching or Non-Latching

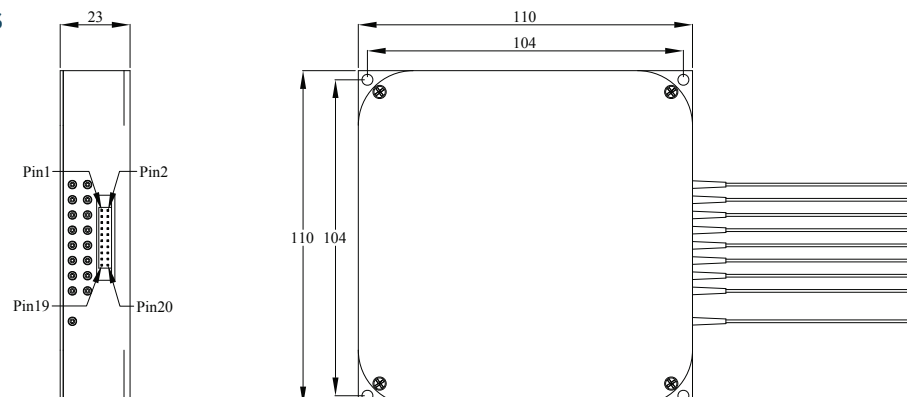
## APPLICATION

- Optical Network Protection/Restoration
- Optical Signal Routing
- Configurable Optical Add/Drop
- Transmitter and Receiver Protection
- Network Test Systems
- Instrumentation

## PERFORMANCE SPECIFICATIONS

Parameter	Specifications	
Channel Wavelength	1260nm to 1360nm or 1510nm to 1610nm	1310nm / 1550nm ± 40nm
Insertion Loss	2.0dB (Max.)	2.3dB (Max.)
Wavelength Dependent Loss	≤ 0.25dB	≤ 0.30dB
Polarization Dependent Loss		≤ 0.2dB
Channel Cross Talk		≥ 50dB
Return Loss		≥ 50dB
Repeatability		± 0.05dB
Switching Speed (Typ.)		25ms (Max.)
+5 VDC Power Supply		5V (Typ.)
+3.3 VDC Power Supply		3.3V (Typ.)
+5 VDC Switch Current		300mA (Max.)
Digital Interface Logic		TTL
Durability (Cycles)		10 Million
Optical Power		300mW
Operating Temperature		0 to +70°C
Storage Temperature		-40 to +85°C
Package Dimensions	L110mm x W110mm x H23mm	

## MECHANICAL DIMENSIONS



## 1x16 Mechanical Fiberoptic Switch

### ELECTRICAL PIN CONFIGURATION

PIN#	1	3	5	7	9	11	13	15	17	19
NAME	+5V	+5V	RESERVE	RESERVE	TX	RX	STROBE	BUSY	ERROR	GND
PIN#	2	4	6	8	10	12	14	16	18	20
NAME	+3.3V	D0	D1	D2	D3	OUTD0	OUTD1	OUTD2	OUTD3	GND

Input Control Data				Switch Status
D3	D2	D1	D0	
0	0	0	0	C-Port1
0	0	0	1	C-Port2
0	0	1	0	C-Port3
0	0	1	1	C-Port4
0	1	0	0	C-Port5
0	1	0	1	C-Port6
0	1	1	0	C-Port7
0	1	1	1	C-Port8
1	0	0	0	C-Port9
1	0	0	1	C-Port10
1	0	1	0	C-Port11
1	0	1	1	C-Port12
1	1	0	0	C-Port13
1	1	0	1	C-Port14
1	1	1	0	C-Port15
1	1	1	1	C-Port16

### ORDERING INFORMATION

Option	Operating Wavelength	Port	Grade	Pigtail Style	Fiber Length	In/Out Connector
L = Latching	15 = 1510 to 1610nm 13 = 1260 to 1360nm 35 = 1310 to 1550nm	0116 = 1x16	P = P Grade 2 = 900um Jacket		1 = 1.0m 2 = 2.0m	0 = None 1 = FC/APC 2 = FC/PC 3 = SC/APC 4 = SC/PC 5 = ST 6 = LC/UPC 7 = LC/APC